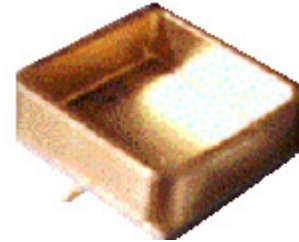


### Features

- Low Insertion Loss 0.2 dB @ 8GHz
- Good 50 ohm Match
- Hermetic Compatible
- Low Cost
- Die package
- System In A Package (SIP)
- Surface Mountable Package T0-8 Outline

MLP1001



### Description

This microwave package features low insertion, excellent match to 50 ohms, good bandwidth and competitive cost.

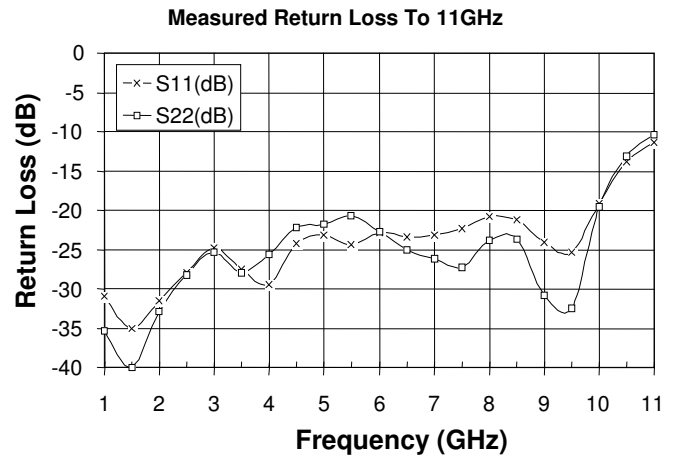
The package features a surface mount outline with pins.

The package can be customized for specific size, inside I/O location and integrated passives. Integrated passives such as filters, baluns and couplers can be incorporated.

### Applications

- Radar, Telecom
- Satellite
- Die Package
- System In A Package
- Semi Custom Design Available Upon Request.

### Typical Return Loss




### Absolute Maximum Ratings

Parameter	Value
Voltage	250V
Current	2A
Process Temperature	450 °C

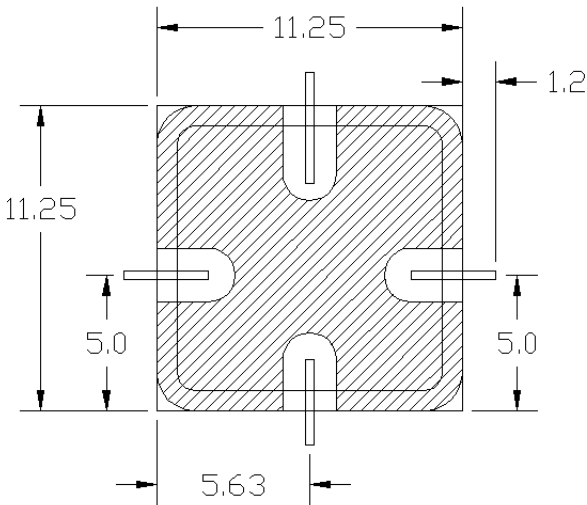
\* Depending upon package mounting method and die size.

## Typical Electrical Characteristics

### Microwave Cavity Package

 Part Number	Frequency Range (GHz)	Insertion Loss (dB) @ 8GHz	Return Loss (dB) @ 8GHz
MLP1001	DC to 11	0.2	-20

### Standard Size Outline Drawing Dimensions = mm



Other package sizes available.

### Package Test Fixture



The package was mounted onto a connectorized test fixture for measurement. Each port inside the package was terminated in a 50 ohm load for return loss characterization of the input and output module transitions.

Copyright © 2007, Microwave Packaging Technology, Inc. All Rights Reserved.

Information in this document is provided in connection with Microwave Packaging Technology, Inc. ("MPT") products or services. These materials, including the information contained herein, are provided by MPT as a service to its customers and may be used for informational purposes only by the customer. MPT assumes no responsibility for errors or omissions in these materials or the information contained herein. MPT may change its documentation, products, services, specifications or product descriptions at any time, without notice. MPT makes no commitment to update the materials or information and shall have no responsibility whatsoever for conflicts, incompatibilities, or other difficulties arising from any future changes.

No license, whether express, implied, by estoppel or otherwise, is granted to any intellectual property rights by this document. MPT assumes no liability for any materials, products or information provided hereunder, including the sale, distribution, reproduction or use of MPT products, information or materials.

#### Terms and Conditions of Sale.

THE MATERIALS, PRODUCTS AND INFORMATION ARE PROVIDED "AS IS" WITHOUT WARRANTY OF ANY KIND, WHETHER EXPRESS, IMPLIED, STATUTORY, OR OTHERWISE, INCLUDING FITNESS FOR A PARTICULAR PURPOSE OR USE, MERCHANTABILITY, PERFORMANCE, QUALITY OR NON-INFRINGEMENT OF ANY INTELLECTUAL PROPERTY RIGHT; ALL SUCH WARRANTIES ARE HEREBY EXPRESSLY DISCLAIMED. MPT DOES NOT WARRANT THE ACCURACY OR COMPLETENESS OF THE INFORMATION, TEXT, GRAPHICS OR OTHER ITEMS CONTAINED WITHIN THESE MATERIALS. MPT SHALL NOT BE LIABLE FOR ANY DAMAGES, INCLUDING BUT NOT LIMITED TO ANY SPECIAL, INDIRECT, INCIDENTAL, STATUTORY, OR CONSEQUENTIAL DAMAGES, INCLUDING WITHOUT LIMITATION, LOST REVENUES OR LOST PROFITS THAT MAY RESULT FROM THE USE OF THE MATERIALS OR INFORMATION, WHETHER OR NOT THE RECIPIENT OF MATERIALS HAS BEEN ADVISED OF THE POSSIBILITY OF SUCH DAMAGE.

MPT products are not intended for use in medical, lifesaving or life-sustaining applications, or other equipment in which the failure of the MPT products could lead to personal injury, death, physical or environmental damage. MPT customers using or selling MPT products for use in such applications do so at their own risk and agree to fully indemnify MPT for any damages resulting from such improper use or sale.

Customers are responsible for their products and applications using MPT products, which may deviate from published specifications as a result of design defects, errors, or operation of products outside of published parameters or design specifications. Customers should include design and operating safeguards to minimize these and other risks. MPT assumes no liability for applications assistance, customer product design, or damage to any equipment resulting from the use of MPT products outside of stated published specifications or parameters.